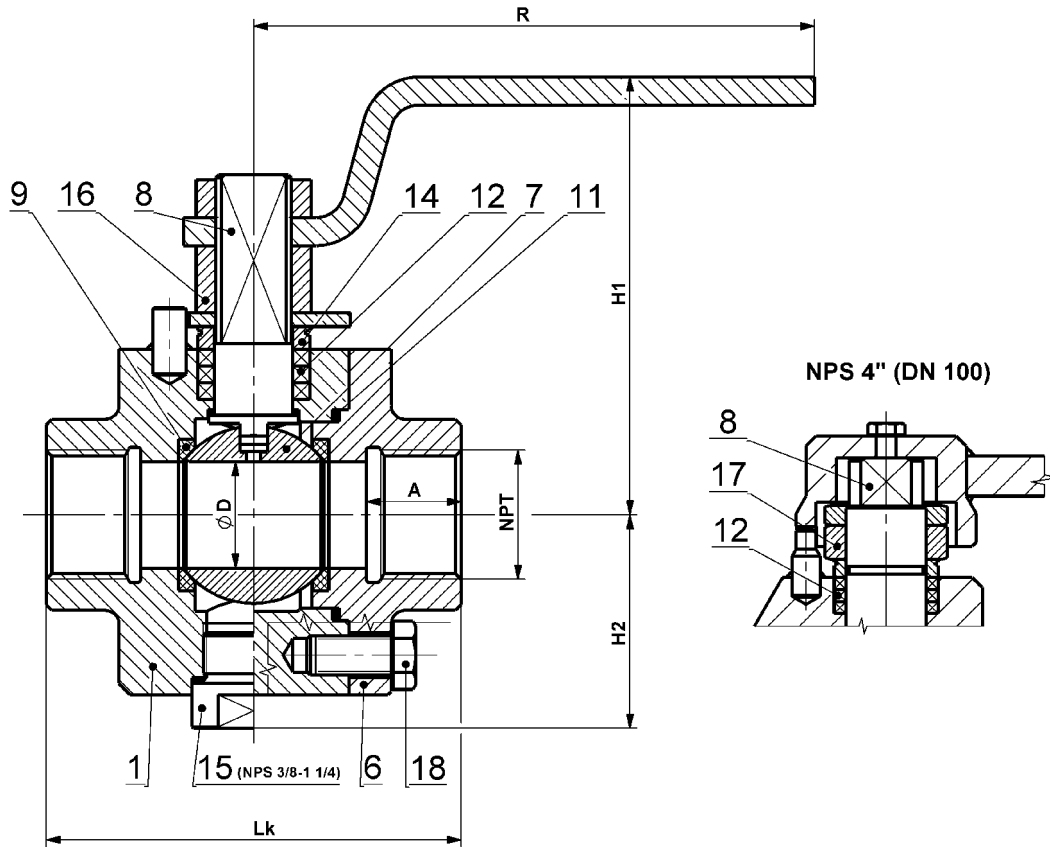


THREADED END BALL VALVE WITH STUFFING BOX KM 9101.X-SB-AF NPS 3/8"–4" Class 150–1500



Materials

Type KM 9101.X-SB-AF		Material			
		Carbon steel		Stainless steel	
Position	Component	X=1 For common temperatures from -20°C to +230°C	X=5 For low temperatures from -46°C to +230°C	X=3 For temperatures from -60°C to +230°C	X=4 For temperatures from -60°C to +230°C
1	Body	1.0577, S355J2	1.0565, A350 LF2	1.4541, A182 F321	1.4571, A182 F316
6	Socket				
7	Ball	1.4571, A182 F316, A351 CF8M, ČSN 17 027			
8	Stem	1.4021, ČSN 17 027	1.4541, A182 F321	1.4541, A182 F321	1.4571, A182 F316
9	Seat	PTFE+C, PEEK			
11	Gasket	Graphite			
12	Packing	Graphite			
14	Gland cover	1.4021, ČSN 17 027			
15	Screw plug	1.0577, S355J2	1.0565, A350 LF2	1.4541, A182 F321	1.4571, A182 F316
16	Nut	Cl.8, A2-70, A194 Gr. 2H	A2-70, A194 Gr. 7	A2-70, A194 Gr. 8	A2-70, A194 Gr.8
17	Nut	1.4021, ČSN 17 027			
18	Bolt	8.8, A2-70, A193 B7	A2-70, A320 L7	A2-70, A193 B8	A2-70, A193 B8

Other materials upon request (P265GH, 1.4306, 1.4462 etc.).

Dimensions and weights

	NPS	DN	øD	NPT	A	Lk	H1	H2	R	Hm / W
Class 150, 300, 600, 800	3/8"	10	9,5	3/8-18	13	55	103	36	150	1,3
	1/2"	15	12,5	1/2-14	15	65	107	39	150	1,8
	3/4"	20	19	3/4-14	16,5					
	1"	25	25	1-11,5	19,5	90	126	55	250	4,6
	1 1/4"	32	30	1 1/4-11,5	21,5					
	1 1/2"	40	38	1 1/2-11,5	24,5					
	2"	50	49	2-11,5	25					
	3"	80	76	3-8	34					
4"	100	100	4-8	40						

Dimensions in [mm], weights in [kg]. Dimensions for Class 900, 1500 upon request.

Application

Isolating valve designed to fully open or close the service fluid flow. It is not designed to be used for throttling or regulating purposes. For temperatures from -60 °C to +230 °C.

Suitable for:

- water, steam, gas, oil, crude oil, acid, alkali and other liquids and gases without mechanical impurities.

Approved for:

- fluids in groups 1 (hazardous) and 2 according to 2014/68/EU.

Characteristics

- floating ball,
- full bore,
- anti-static design,
- fire-safe design,
- stem secured against release (anti-blow-out).

Optional accessories, adjustments and services

- different end-to-end dimensions or end combinations,
- connection for actuator according to ISO 5211,
- heating jacket – for keeping the fluid liquid,
- lockable handle with a padlock,
- extended stem – e.g. for the reason of insulation of the valve and pipeline,
- design according to TA-Luft or EN 15848-1,
- limit switches,
- documentation according to EN 10204 3.2,
- special adjustments according to customer requests,
- design according to standard NACE MR 0175 or ISO 15156,
- all seals from PTFE material.

Type designation

KM 9 1 0 1 . X – SB – AF

Type of KE-ARM valve – straight ball valve
Control:
0 = lever
3 = gear box or adjustment for actuator

According to API 608, full bore
Type series – with stuffing box
Material – according to table
Connection to pipeline:
1 = internal thread

Operation

- hand lever,
- hand wheel with worm gear,
- pneumatic actuator,
- electric actuator.

Compliance with standards

- API 608
- EN 12516-1,
- ANSI B 1.20.1,
- EN ISO 5211,
- EN ISO 10497 (API 607),
- EN 13463-1 (ATEX) – II 1 GD Ex IIC TX, I M1.

Testing

- API 598 or API Spec 6D – zero leakage.