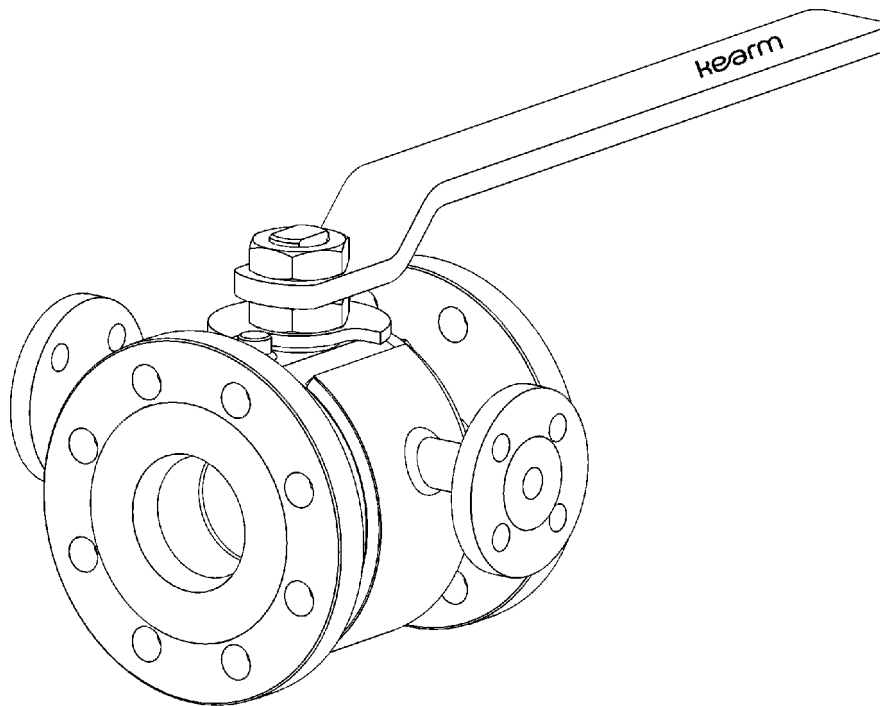


JACKETED BALL VALVE

KM 91-HJ
DN 10–200 PN 16–250
NPS 3/8" – 8" Class 150–1500



Application

Flanged jacketed ball valves are isolating valves designed to fully open or close the service fluid flow. These valves are used when the service fluid is solid at ambient temperature (e.g. Sulphur or bitumen) and it is necessary to keep the fluid liquid to operate the valve. Steam or oil is used as heating medium which allows to heat up the service fluid above its melting point thus enabling operation of the valve. They are not designed to be used for throttling or regulating purposes.

The scope of application of the ball valve depends directly on materials and on design of the basic valve that is jacketed. Maximum temperature of heating medium must not exceed maximum working temperature of the valve itself.

It is possible to equip whichever ball valve from KE-ARM production range with a heating jacket, i. e. straight ball valves, three-way, high temperature, ball valves according to EN or API standards etc. The '-HJ' code is added to the valve's type to distinguish the jacketed valve (e.g. wafer type ball valve with soft seats has a code KM 9107.1-01, with a jacketed modification it is KM 9107.1-01-HJ).

Technical Description

Ball valve design meets the requirements of EN 1983, or API 608 and API Spec 6D. The ball valve is with floating ball. The stem design ensures that the stem can not be ejected from the valve body by pressure of the fluid (anti-blow-out stem), internal components are connected to provide conductivity and resistance to formation of electrostatic discharges (anti-static design).

Operation

- lever
- gear box with a hand wheel
- pneumatic actuator
- electric actuator

Dimensions of flanges for actuator installation are in accordance with ISO 5211.

The method of operation is indicated by the third digit of the type designation, which is "0" for lever and "3" for actuator (e.g. KM 913X.X-HJ).

Connection to piping

- flanged – according to EN 1092-1 or ASME B16.5
- weld ends – according to EN ISO 17292 or ASME B16.25
- threaded ends – female / male threads
- end-to-end dimensions according to EN 558-1 or ANSI B16.10 or according to customer requirement

Testing

According to EN 12 266-1 as a standard, or API 598 or API Spec 6D – zero leakage. If required by the Customer, additional tests may be performed as well.

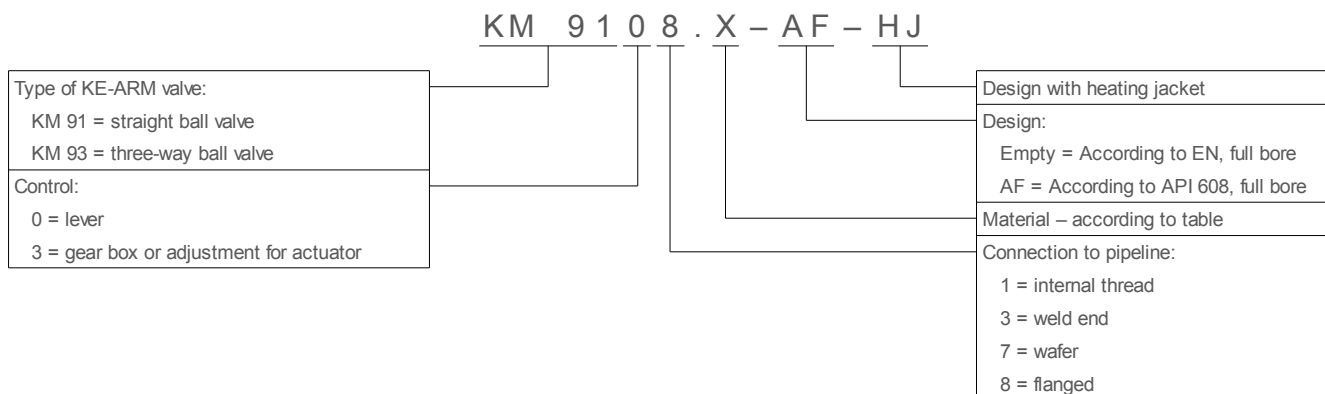
Installation, service and maintenance

The ball valves may be installed into the piping in any arbitrary position. They require no special adjustments or maintenance. They are operable at the full pressure drop which equals to PN.

Optional accessories, adjustments and services

- fire-safe design – fire resistance in accordance with EN ISO 10497 (API 607)
- lockable handle with a padlock – for locking opened / closed position of the valve
- extended stem – e.g. for the reason of insulation of the valve and pipeline
- limit switches
- documentation according to EN 10204 3.1 or 3.2
- special adjustments according to customer requests
- execution according to standard NACE MR 0175 or ISO 15156

Type designation



**Considering the individual solution for each contract,
 it is impossible to specify all ball valves' parameters here.**

Do not hesitate to contact our office to get the quotation according your requirements.